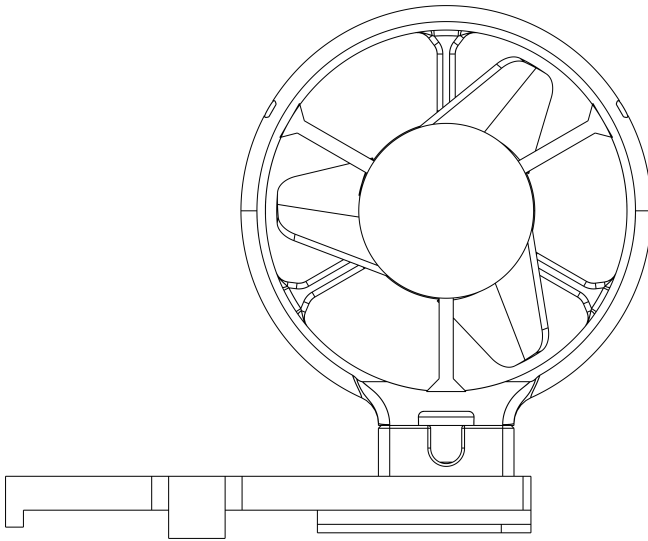




GENEINNO

Lateral Thruster User Manual

V1.0.2 2021.3



Shenzhen Geneinno Technology Co., Ltd
www.geneinno.com

1. Introduction

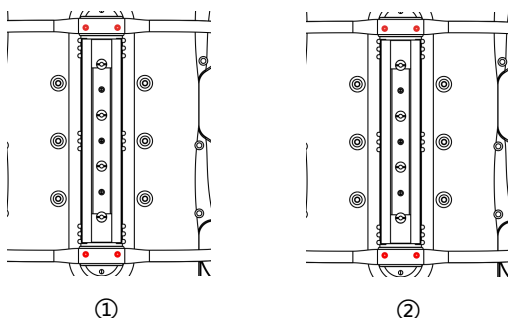
GT_LT-1 The lateral thruster is a laterally moving propeller dedicated equipped for intelligent underwater robots. , Connect with the unique extension port of Geneinno Intelligent Underwater Robot through a customized waterproof connector. The maximum thrust of the propeller in the water is 1.2kg and it is equipped with the Geneinno Underwater Robot AI self-balancing control system to ensure smooth and lateral underwater movement

2. Specification

Dimensions	112mm*φ78mm
Weight	205 g
Maximum Depth	175m(fresh water)
In-put Voltage	DC 12V
Max Electric Current	3.8A
Loading Power	45W
Motor KV	350KV
Max Thrust	1.2kg
Working temperature	-10°C ~ 50°C
Port Type	Dedicated 8-pin waterproof connector
Product Adaptation	Intelligent underwater robot T1/T1 Pro dedicated

3. Installation

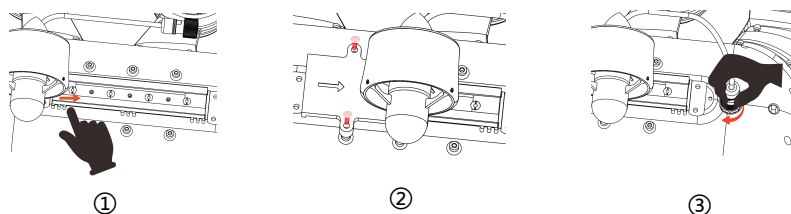
Support bracket installation



- ① Use a cross screwdriver to unscrew the four fixing screws of the bracket and remove the original bracket of the underwater robot.
- ② Replace the original bracket for the support bracket, and install 4 fixing screws with a cross screwdriver.

Note: Need to change to support bracket for accessory

Accessory Installation



- ① Unscrew the sealing metal cover of the waterproof connector of the underwater robot counterclockwise. Match the slot of the accessory device to the slide rail in the bottom of the robot, slide the accessory device according to direction indicated by the arrow.
- ② Align the screw with the hole and install the screws.
- ③ Insert the connector of the accessory device into the waterproof connector. Tighten it clockwise.

Note: The connector has an anti-reversal insertion design, please pay attention when inserting, please do not rotate when inserting, to avoid damage to the pin and its internal structure.

Device start

- First, connect the lateral thruster with the underwater robot, and then connect the Wireless Relay connector to the robot.
- After the connection is done, the underwater robot is powered on. Use a tablet or smart phone to connect, and enter the control page in the Geneinno APP. Operate the right joystick to control the lateral movement, the left and right direction is the movement direction of the T1 Pro as viewed from the screen.

Note: Please refer to “Geneinno Underwater Robot T1/T1 Pro User Manual ” for APP operation instructions.

4. Maintenance & Precautions

Precautions

- Before starting to use, please check all waterproof connectors for water and other liquid residues, please wipe them clean before connecting.
- Do not touch the rotating motor blades.
- Do not leave the rotating for more than 30 seconds in the air to avoid damage to the motor due to overheating.
- Before starting to use, please check carefully whether there are any attachments on the surface of the motor and the propeller, and check whether the propeller can rotate normally.
- Please clean up the attachments on the surface of the motor and propeller in power-off state and rinse with water.
- Do not place heavy objects on this product, do not expose to the sun, do not store in a very humid/corrosive environment.

Maintenance instructions

- After finishing use, please rinse with fresh water and wipe dry in time to reduce seawater corrosion and store in a dry and ventilated place.
- Please use smooth tools such as cotton cloth to clean the surface of this product.

After-sale service

More information please check in Geneinno APP Help selection.

If you need other after sales support or technical issue, please contact support@geneinno.com or check our website “Service & Support” , <https://www.geneinno.com/support>

This manual is subject to update without prior notice

Official Media



Facebook



YouTube



Wechat



Weibo